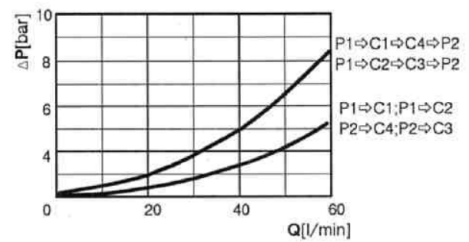
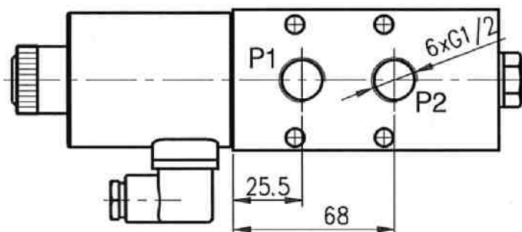
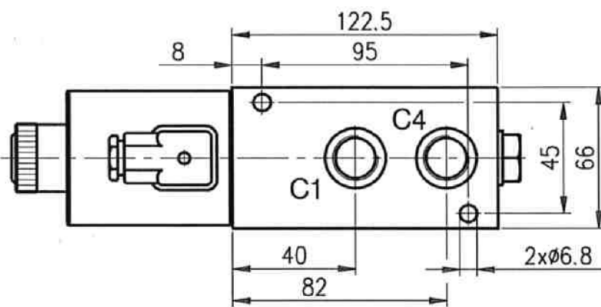
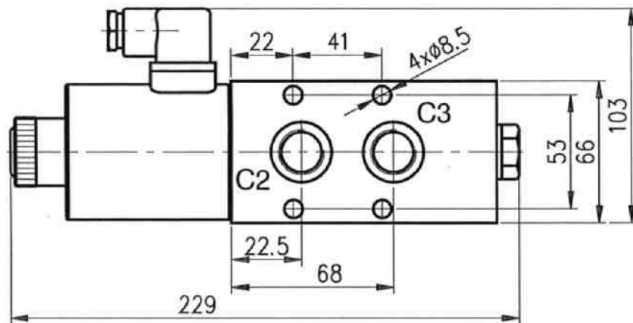
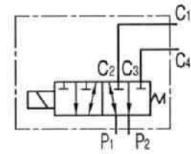


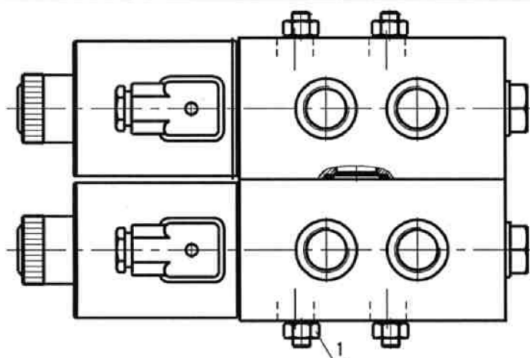
DIRECTIONAL SOLENOID-OPERATED VALVE

RS 10 ..



TECHNICAL DATA		
Nominal pressure	bar	200
Nominal flow rate	L/min	50
Voltage of operating solenoid	VDC	12;24

All performances and calibration are carried out by using hydraulic oil with viscosity Approx. 46 cSt at 50 °C
 Temperature range: -20°C...+80°C.
 Filtration absolute: 25µm
 Tightening torque for solenoid - 30 N.m



It is possible to make block with up to 4 directional control valves.

A block with 2 valves is shown.

Tightening torque for detail position 1 - 20⁺³ N.m

